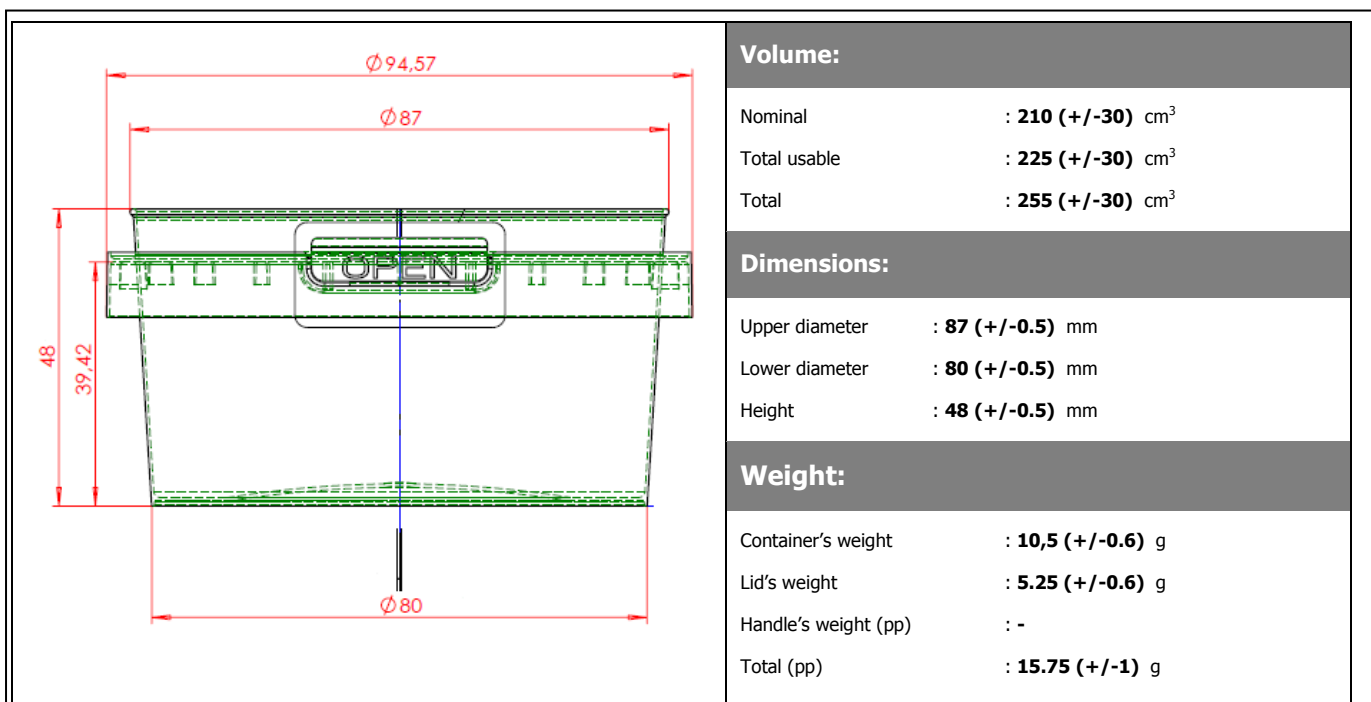


# PP-2 CZ/2kr **tight** PL/2kr

Prepared:  
12.05.2014r

Prepared by:  
Tomasz Jamroży



## Material :

### Polipropylen homopolimer/copolymer

**Chemical character:** neutral, does not contain any substances categorized as environmentally or health hazardous

**Physiochemical properties:** Physical form: Solid state. Colour: Dependent on the used dye. Odour: Odourless. Softening point: 120÷200 °C. Flash point: 400 °C. Density: 0,89-0,91 g/cm<sup>3</sup>. Water solubility: Insoluble.

**Stability:** Durable under conditions of application and storage as in case of storing. Stored in open containers (palette) is prone to microorganisms.

**Ecological information:** Neutral for environment. Insoluble in water. Does not biodegrade. Waste management: Dependent on local regulations: recycling, incineration, disposal.

**Utilization method:** Product is fit for **recycling**. Utilization is dependent on local regulations: Direct to incineration. Direct to waste stockpile.

## Application:

Food industry: **vegetable preserves, marinated vegetables, vegetable salads, fruits, tomato sauce, fruit preserves (jams, preserves, plum jams), mustard, mayonnaise, ice-creams, marinated fish, ready-made fish products, salt fish, caramel, syrup, dry loose food products, dry vegetable mixture, mealy dishes, milk preserves, vegetable/animal fats, popcorn, chips, cookies, sweets, peanuts, feed for animals and others.**

Chemical industry: **paints, dyes, glues, water-soluble varnishes, polishes, spatulas, fertilizers, washing powders, bleaches and others.**

# PP-2 CZ/2kr **tight** PL/2kr

Prepared:  
12.05.2014r

Prepared by:  
Tomasz Jamroży

## Transport and storage conditions :

**Transport conditions:** Closed or covered with tarpaulin box, no overloading with extra load. Pallets must be protected against: shifting, crushing and other mechanical damage. It is recommended not to exceed **60%** of maximum static load while stacking the containers during transport.

**Storage conditions:** Temperature from -5 to 35°C, Relative humidity: < 80%, no direct sunlight exposure, dry, clean, rodent and insect-free space, away from chemical resources and materials, in tightly closed cardboard boxes. Expiry date of packaging: 15 months from production date.

**Filling and closing conditions:** In case of storage of containers in the temperature below **5°C** it is required to seasoned them before filling. The time of seasoning depends on the conditions prevailing inside the manufacturing hall and must continue until the container reaches the temperature min. **15°C**, max medium temperature **95°C**, when stacking buckets in columns, medium temperature must be lower than **45°C**. After filling it is recommended not to stack more than 2 containers vertically. After reaching the temperature of 25-30° containers reach optimal strength and stiffness that enable stacking containers according to ultimate tensile strength listed below.

**Lower bucket load:** - - with a load of bulk density 1g/cm<sup>3</sup> ; static crush (23°C, humidity 50%)

maximum = 0,3 kN = **30 kg**

**Recommended number of stacking of the containers for the palletizing of finished products** (filled medium with a density 1.5g/cm<sup>3</sup>) taking into account the safe transportation: **to 32 levels**

## Palletizing pattern:

Individual packaging with dimensions LxBxH	Cardboard 600 x 400 x 600 mm and plastic bag PE
Items on pallet:	7200 sets (container + lid)
Cardboards on pallet:12 (10 container, 2 lid), Items in cardboard: 720-container, 3600-lid, Columns in cardboard: container 24 (23x31 items + 1x7 items), lid 24 (24x150 items) Pallet height: 190 cm	
Palletizing:	Pallet EUR covered with plastic bag PE

**Attention:** The manufacturer does not take responsibility for any containers' deformations that result from stacking single pallets one on the other or setting any additional load on them.

## Palletizing pattern for finished products:

